

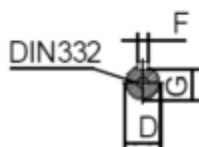
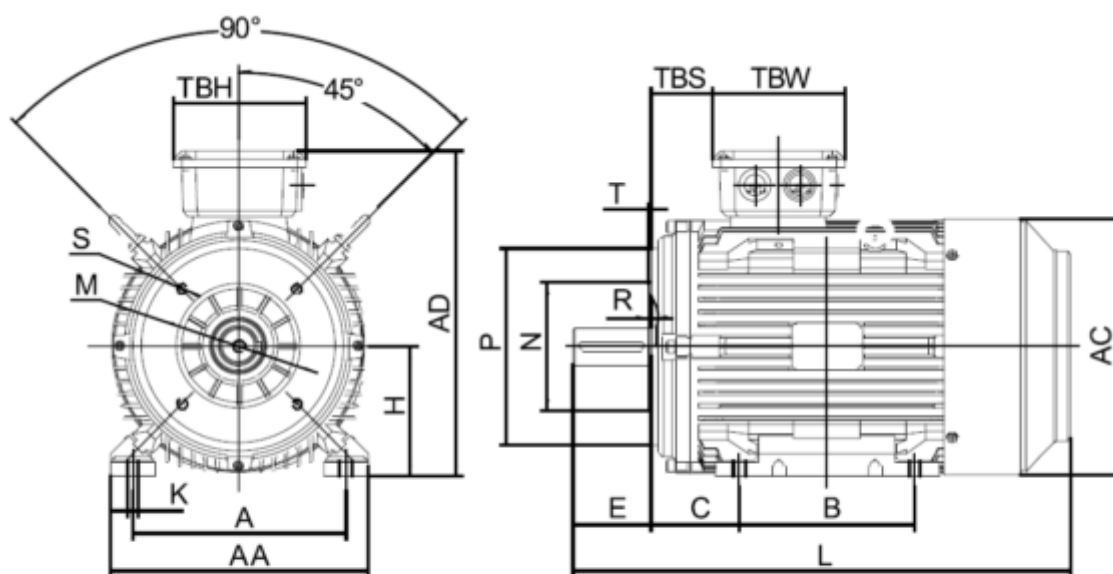
# Data Sheet



Article number: 250300220216

Description: Kleedrive T3C 90L-2 2.2KW 2800 rpm  
3x230/400V 50HZ IP55 B14 Eff=85,9%

## Measures



A = 140	F = 8	P = 140
AA = 178	G = 20	R = 0
AC = Ø176	H = 90	S = -
AD = 231	HD = 141	T = M8
B = 125	K = Ø10	TBH = 114
C = 56	L = 345	TBS = 61.5
D = Ø24	M = 115	TBW = 114
E = 50	N = 95	